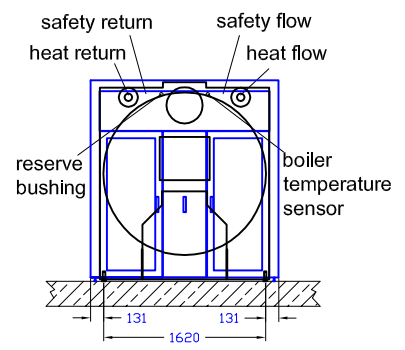
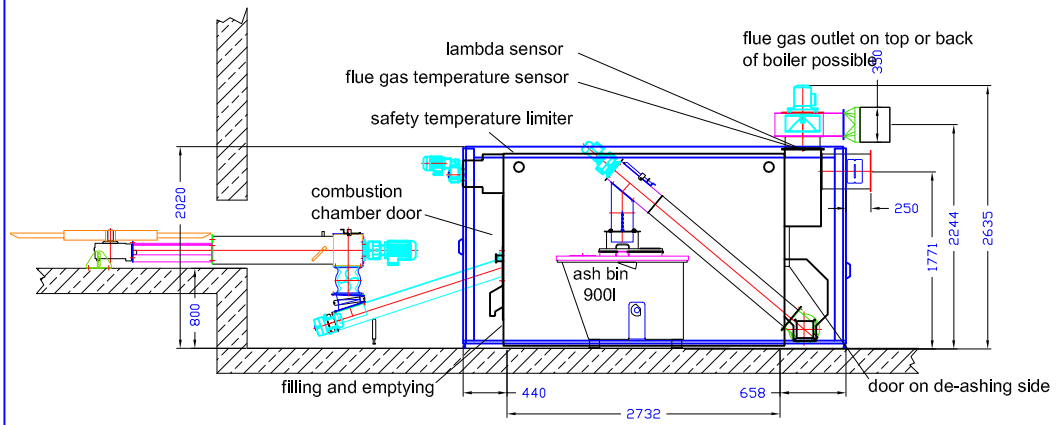


Electrical connection data	
Boilers from 149 kW - 800 kW	
Connection	Hardwiring 400V / 3N PE
Protection	C 32A
RCD switch	Type A IΔN 300mA

Technical data RHK-AK 400	
without e-filter	
transport width (mm)	1692
transport length (mm)	3530
transport height (mm)	1990
width with cover panel (mm)	1880
length with cover panel (mm)	3825
height with cover panel (mm)	2020
water content (l)	1580
weight (kg)	6200
heat exchanger surface (m ²)	33,75
continuous heat load (kW)	*360 / **320
*wood chips/ **pellets	
heating output (kW)	400
CO ² (%)	10,0
efficiency (%)	>90
flue gas mass flow (kg/s)	0,330000
flue gas temperature (°C)	180
flue depress (PA)	28
flue depress with underpressure monitoring (PA)	10
drop at dT 10 pressure K (mbar)	162,30
max. pressure (bar)	3
flow heat (DN)	80
heat return(DN)	80
safety flow (inch)	1 1/2
safety return(inch)	1 1/2
filling and emptying (inch)	1 1/4
thermowell (inch)	1/2
flue gas pipe diameter (mm)	350
min. opening for air supply (cm ²)	850
min. volume flow rate for return temp. increase at 15K (m ³ /h)	7,64



The boiler should be accessible from three sides. The discharging system should not cross the heating room. Room height and position of the particle separator(s)* should be discussed with the Heizomat team. Connecting points for the necessary potential equalization on the boiler see supplementary sheets "Connection of the Heizomat boiler system to the main potential equalization of a building" *. Technical changes that serve the permanent further development remain reserved. *Optional equipment, depending on the statutory provisions for the country of destination.

Status 01.07.2017



Heizomat GmbH Gerätebau- Energiesysteme
Maicha 21 - 91710 Gunzenhausen - 09836/9797-0