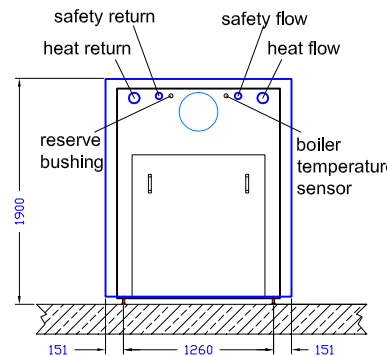


Electrical connection data Boilers from 149 kW - 800 kW	
Connection	Hardwiring 400V / 3N PE
Protection	C 32A
RCD switch	Type A IΔN 300mA

Technical data RHK-AK 204-N without e-filter	
transport width (mm)	1372
transport length (mm)	2680
transport height (mm)	1780
width with cover panel (mm)	1568
length with cover panel (mm)	2950
height with cover panel (mm)	1840
water content (l)	985
weight (kg)	3108
heat exchanger surface (m ²)	18,50
continuous heat load (kW)	0-199
heating output (kW)	199
CO ² (%)	10,0
efficiency (%)	>90
flue gas mass flow (kg/s)	0,169000
flue gas temperature (°C)	180
flue depress (PA)	21
flue depress with underpressure monitoring (PA)	10
drop at dT 10 pressure K (mbar)	88,20
max. pressure (bar)	3
flow heat (DN)	80
heat return(DN)	80
safety flow (inch)	1 1/2
safety return(inch)	1 1/2
filling and emptying (inch)	1 1/4
thermowell (inch)	1/2
flue gas pipe diameter (mm)	300
min. opening for air supply (cm ²)	450
min. volume flow rate for return temp. increase at 15K (m ³ /h)	3,82



Technical data electric-filter	
Heizoclean EF185, electrostatic	3x in flue pipe 300



Heizomat GmbH Gerätebau- Energiesysteme
Maicha 21 - 91710 Gunzenhausen - 09836/9797-0

The boiler should be accessible from three sides. The discharging system should not cross the heating room. Room height and position of the particle separator(s)* should be discussed with the Heizomat team. Connecting points for the necessary potential equalization on the boiler see supplementary sheets "Connection of the Heizomat boiler system to the main potential equalization of a building" *.

Technical changes that serve the permanent further development remain reserved.

*Optional equipment, depending on the statutory provisions for the country of destination.

Status 01.07.2017